

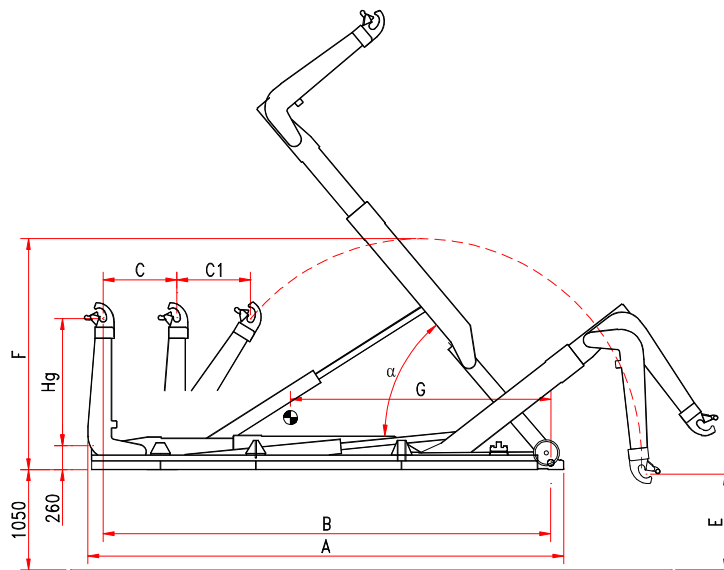


b.o.b. Sistemi Idraulici S.p.A.

unilift[®]

AZIENDA CON SISTEMA
DI GESTIONE QUALITÀ
CERTIFICATO DA DNV
= ISO 9001 =

HOOKLIFT « TAL 26 »



| Model | Hg | A | B | C-C1 | E | F | G | Weight kit | α | Container | min - max | |
|-----------|-------------|-------|-------|-----------|---------|-------|-------|------------|-----|-----------|-----------|-------|
| TAL 26 C | 1.425/1.570 | 6.150 | 5.750 | 850/1.150 | 920/800 | 2.890 | 3.400 | 3.010 kg | 57° | | 4.400 | 6.900 |
| TAL 26 NC | 1.425/1.570 | 6.350 | 5.950 | 850/1.150 | 920/800 | 2.890 | 3.500 | 3.040 kg | 53° | | 4.600 | 7.100 |
| TAL 26 N | 1.425/1.570 | 6.550 | 6.150 | 850/1.150 | 920/800 | 2.890 | 3.600 | 3.070 kg | 51° | | 4.800 | 7.300 |
| TAL 26 NL | 1.425/1.570 | 6.750 | 6.350 | 850/1.150 | 920/800 | 2.890 | 3.700 | 3.100 kg | 48° | | 5.000 | 7.500 |
| TAL 26 L | 1.425/1.570 | 6.950 | 6.550 | 850/1.150 | 920/800 | 2.890 | 3.800 | 3.130 kg | 45° | 4.400 | 6.900 | |

The technical details shown in this sheet are indicative and can be changed by the builder without prior notice

B.O.B. Sistemi Idraulici S.p.A. – Regione Oltre Rea, 32 – 12060 Monchiero (CN) - Italia
 P. I.V.A. 00496180043 - Tel.: +39 (0173) 780002/3 – Fax: +39 (0173) 780004
 Internet: www.bobspa.com - E-mail: info@bobitalev.com