

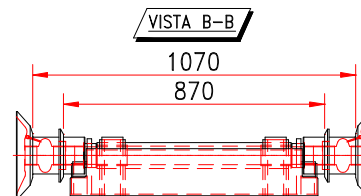
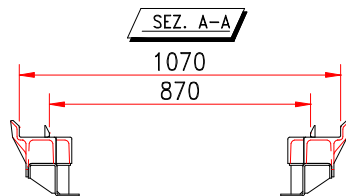
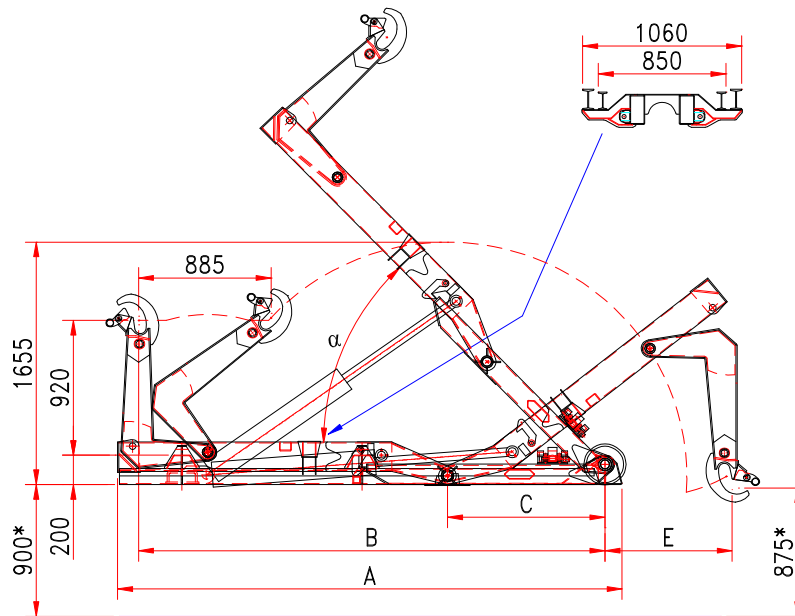


b.o.b. Sistemi Idraulici S.p.A.

unilift[®]

COMPANY
WITH QUALITY SYSTEM
CERTIFIED BY DNV
= ISO 9001/2000 =

HOOKLIFT « A 6 low arm »



Model	Hg	A	B	C	D	E	F	G	Weight	a	Container	min.	max.
A 6 C	900/920	3.165	2.950	885	935	875	1.655	1.750	890 kg	52°		3.200	3.500
A 6 N	900/920	3.365	3.150	885	735	875	1.655	1.800	920 kg	46°		3.300	3.800
A 6 L	900/920	3.565	3.350	885	535	875	1.655	1.850	950 kg	42°		3.500	4.000
A 6 XL	900/920	3.765	3.550	885	785	875	1.800	1.910	1.070 kg	52°		3.800	4.300
A 6 XXL	900/920	3.965	3.750	885	585	875	1.800	1.960	1.100 kg	47°		4.000	4.500

* max. height (unloaded)

Edition: 02.12.2010

The technical details shown in this sheet are indicative and can be changed by the builder without prior notice.

B.O.B. Sistemi Idraulici S.p.A. – Regione Oltre Rea, 61 – 12060 Monchiero (CN) - Italia
P. I.V.A. 00496180043 - Tel.: +39 (0173) 780002/3 – Fax: +39 (0173) 780004
Internet: www.bobspa.com - E-mail: info@bobitalev.com