



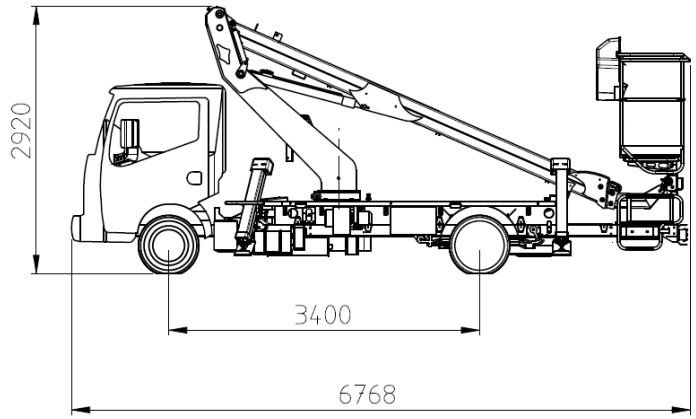
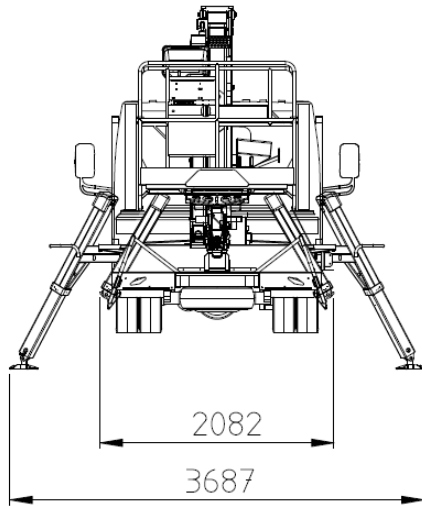
**GT 18**

**AERIAL PLATFORM**

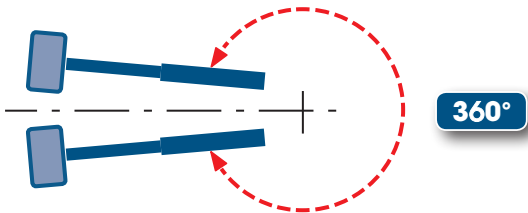
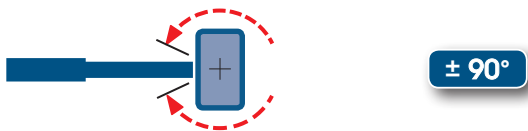
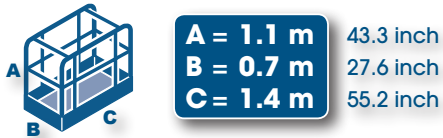
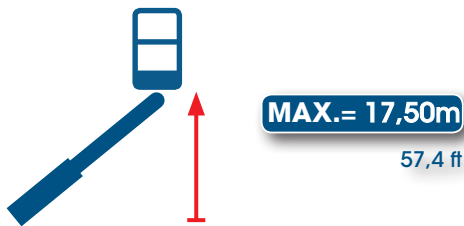
# M Double Pantograph GT 18

**3.5 t**

7716 lbs



REV. 03/2016



**HYDRAULIC PROPORTIONAL**

