



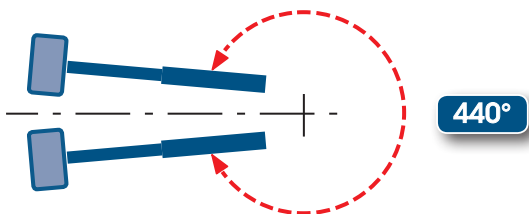
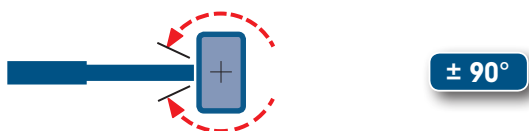
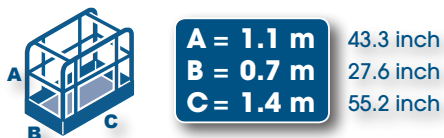
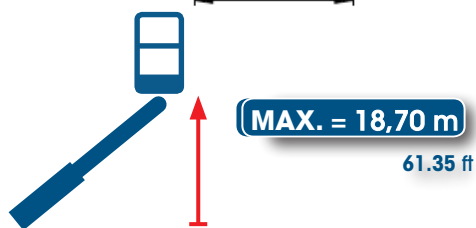
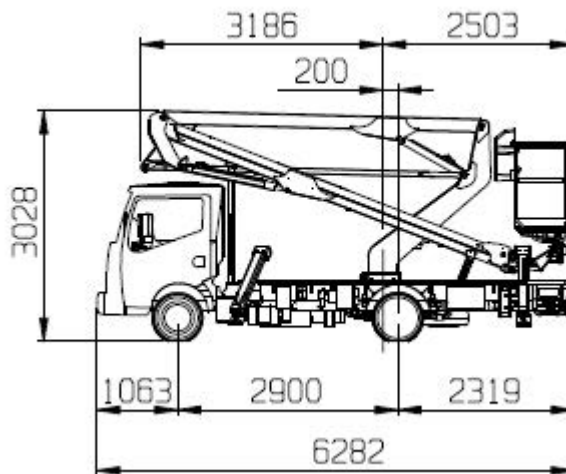
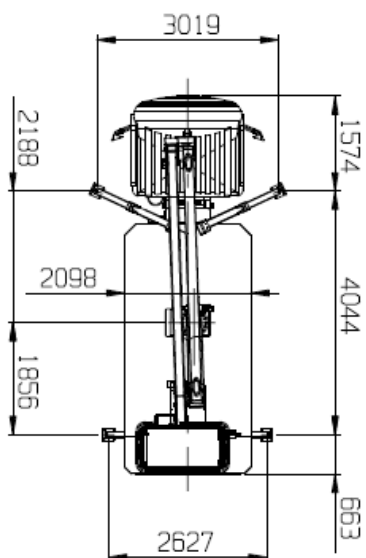
GX 19

AERIAL PLATFORM

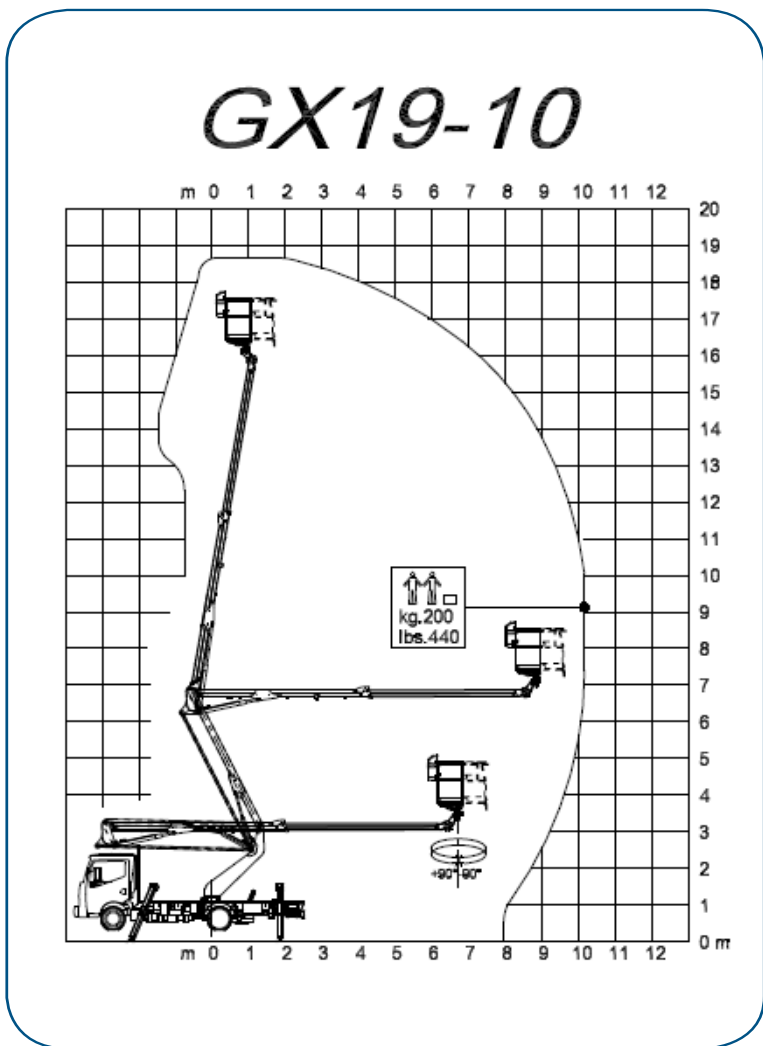
M Double Pantograph GX 19

REV. 10/2015

3.5 t
7716 lbs



HYDRAULIC PROPORTIONAL



Manotti S.r.l.

Via D. Marchesi, 2/b — 42022 Boretto (RE) Italy
Tel. +39 0522 965590 - Fax +39 0522 015169
info@manotti.eu — sales@manotti.eu
www.manotti.eu